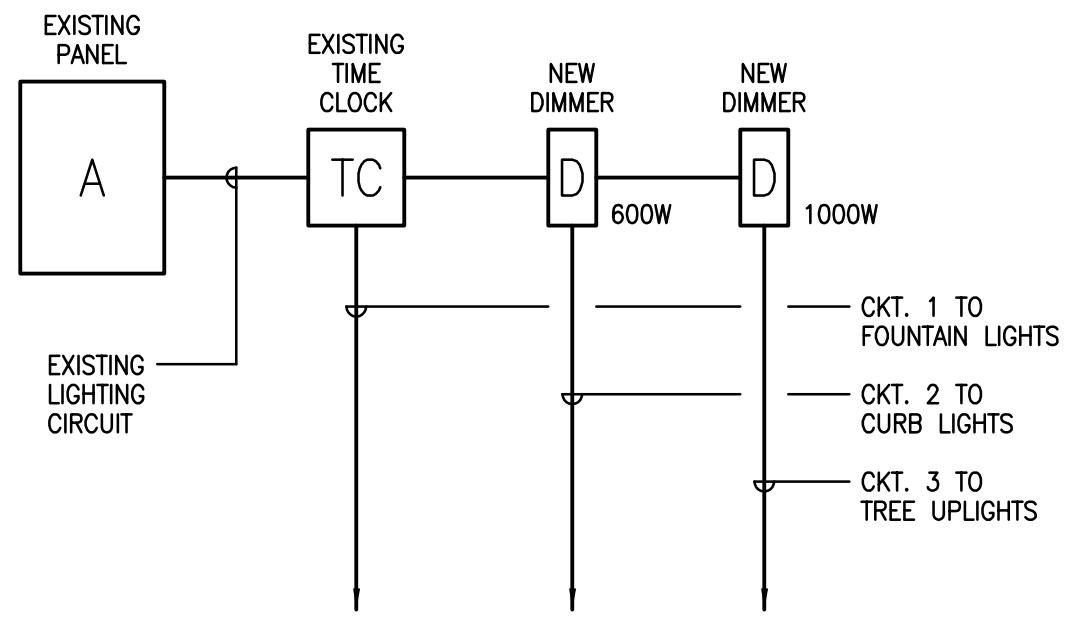


REVISIONS	BY

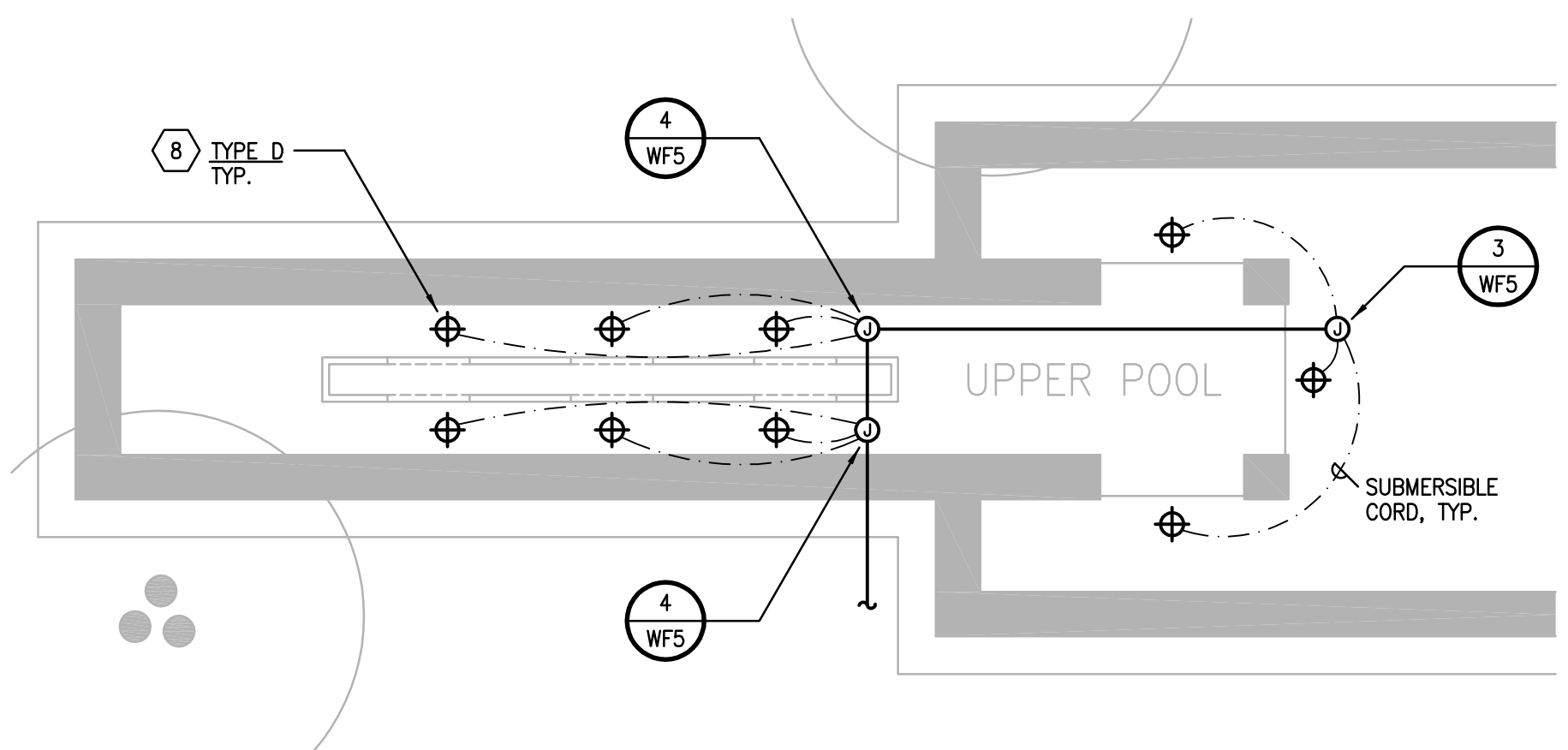


**5 SITE LIGHTING CONTROLS**  
SCALE: SCHEMATIC

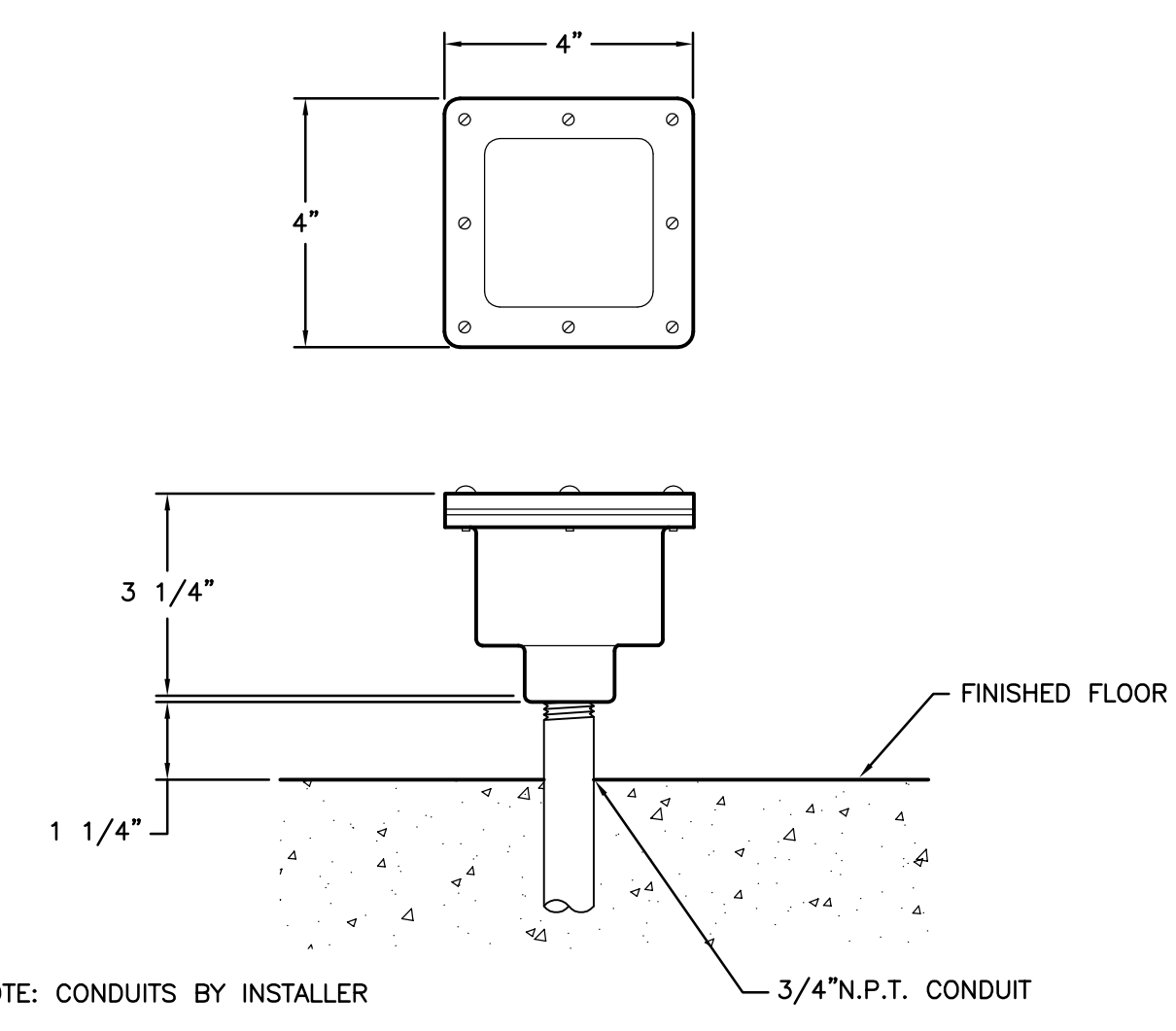
- ### SHEET NOTES
- COORDINATE EXACT LOCATION OF FIXTURES IN LANDSCAPE AREAS WITH LANDSCAPE ARCHITECT; LOCATE FIXTURES TO ACCOMMODATE ROOT GROWTH.
  - RE-USE EXISTING CONDUIT FEED TO ENTRY KIOSK AREA; VERIFY EXACT LOCATION IN FIELD.
  - COORDINATE EXACT LOCATION OF LOW VOLTAGE TRANSFORMER IN LANDSCAPE AREAS WITH LANDSCAPE ARCHITECT; TRANSFORMER TO BE (LUMIERE OR EQUAL) 120V/12V.
  - RE-USE EXISTING CONDUIT & WIRE FROM EXISTING PANEL & TIME CLOCK IN GATE HOUSE TO LOCATION OF REMOVED FLOOD LIGHTS; USE THIS AS POINT OF CONNECTION & EXTENSION TO NEW FIXTURES AS SHOWN.
  - TYPE C FIXTURES ARE PROVIDED WITH INTEGRAL 75W LOW VOLTAGE TRANSFORMER TO FEED FIXTURE IT IS MOUNTED IN, PLUS ONE ADDITIONAL FIXTURE AS SHOWN CONNECTED WITH LOW VOLTAGE WIRING.
  - EXISTING PANEL TO REMAIN; RE-USE EXISTING CIRCUIT FEEDING FOUNTAIN LIGHTS FOR NEW CONNECTIONS AS SHOWN.
  - EXISTING LIGHTING TIME CLOCK TO REMAIN; RE-USE FOR CONTROL OF NEW FIXTURES AS SHOWN.
  - PROVIDE & INSTALL NEW UNDERWATER J-BOX TO FEED NEW TYPE D FIXTURES AS SHOWN.

### FIXTURE SCHEDULE

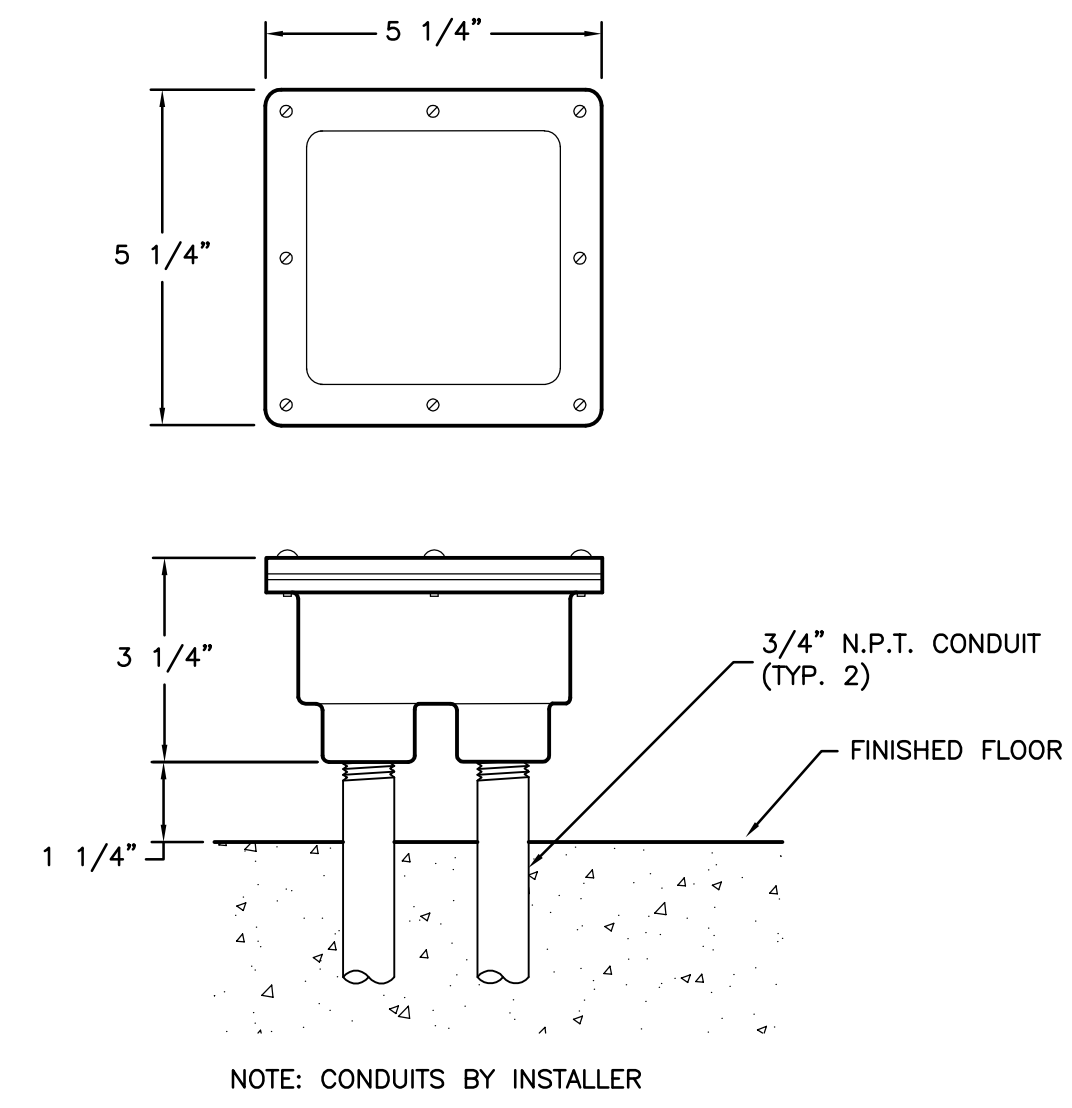
TYPE	DESCRIPTION:	MANUFACTURER:	LAMPS:
TYPE A	IN GROUND LOW VOLTAGE TREE UPLIGHT; FIBERGLASS POLYESTER COMPOSITE HOUSING; 12V WITH 3FT. PRE-WIRED PIGTAIL.	HADCO #11136-H W/ #151H SHIELD	(1) 50W PAR36 12V
TYPE B	GRADE MOUNTED LED FLOOD LIGHT; SOLID MACHINED ALUMINUM BODY; INTEGRAL LED DRIVER; 120V.	B-K LIGHTING #MM-LED-205-BZP-9-11-C	(1) 1W LED ARRAY - 12V
TYPE C	CURB MOUNTED LOW VOLTAGE PATH LIGHT; MACHINED ALUMINUM BODY; INTEGRAL TRANSFORMER; 120V.	B-K LIGHTING #PS-3-BZW-A-PP-EL75-120	(1) 35W MRIG FRB
TYPE D	UNDERWATER LED FIXTURE; CAST BRONZE HOUSING; INTEGRAL LED DRIVER; 120V.	HYDREL #4426-B-60 LED-CLW-120-MFL-FLC-BM-NOTE	(1) 60W LED ARRAY



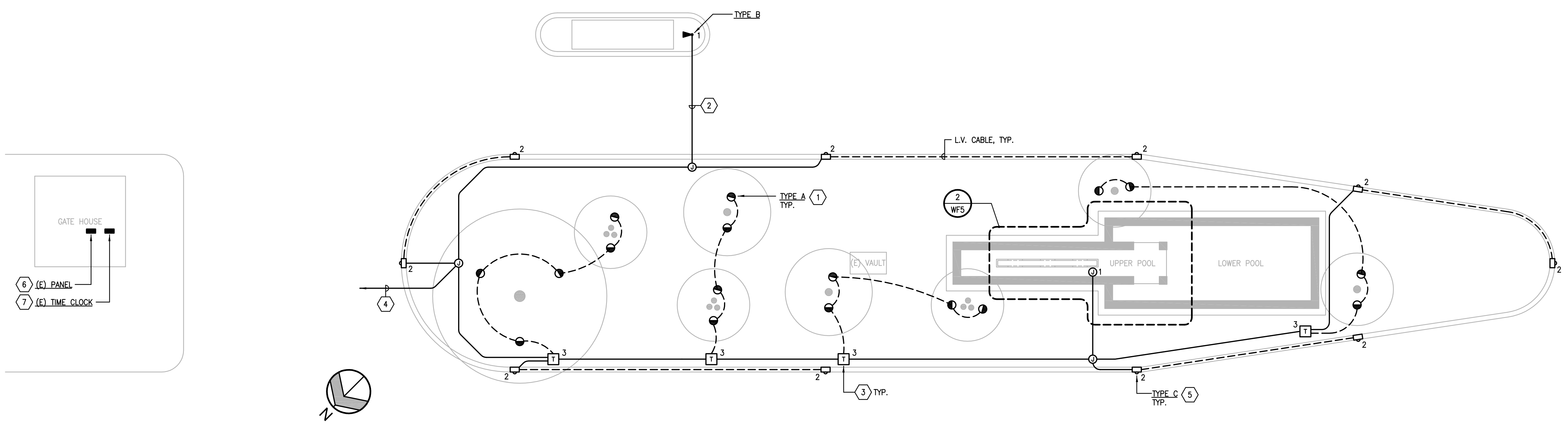
**2 FOUNTAIN LIGHTING PLAN**  
SCALE: 1/4" = 1'-0"



**3 JUNCTION BOX #JP-7-3/4-3-1/2-WS**  
SCALE: NTS



**4 JUNCTION BOX #JP-9-3/4-3-1/2-WS**  
SCALE: NTS



**1 SITE LIGHTING PLAN**  
SCALE: 1/8" = 1'-0"

DRAWING REVISED: 12.08.08

THE FINAL QUALITY OF THE FINISHED PROJECT IS THE RESPONSIBILITY OF THE CLIENT. THE DESIGNER ASSUMES NO LIABILITY FOR THE FINISHED PROJECT UNLESS THE CLIENT HAS BEEN ADVISED OF SUCH.

0 1/2 1 inch

**TPWCO**  
ELECTRICAL & LIGHTING SYSTEMS DESIGN  
3348 Barrmouth Drive - Antioch, CA 94509  
Tel: (925) 754-9027 Fax: (925) 754-9375  
Email: design@tpwco.com

**FEYERABEND & MADDEN**  
LANDSCAPE DESIGN  
1301 Old Street • Riverside, California 92508  
Telephone: (951) 506-0800 Fax: (951) 506-0805

**EASTRIDGE HOMEOWNERS ASSOCIATION**  
GREEN VALLEY RD + EASTRIDGE DR  
FAIRFIELD, CA 94534

DATE	12.03.08
SCALE	AS NOTED
MGR	TW
JOB	0809.12
SHEET	<b>WF5</b>
OF	SHEETS