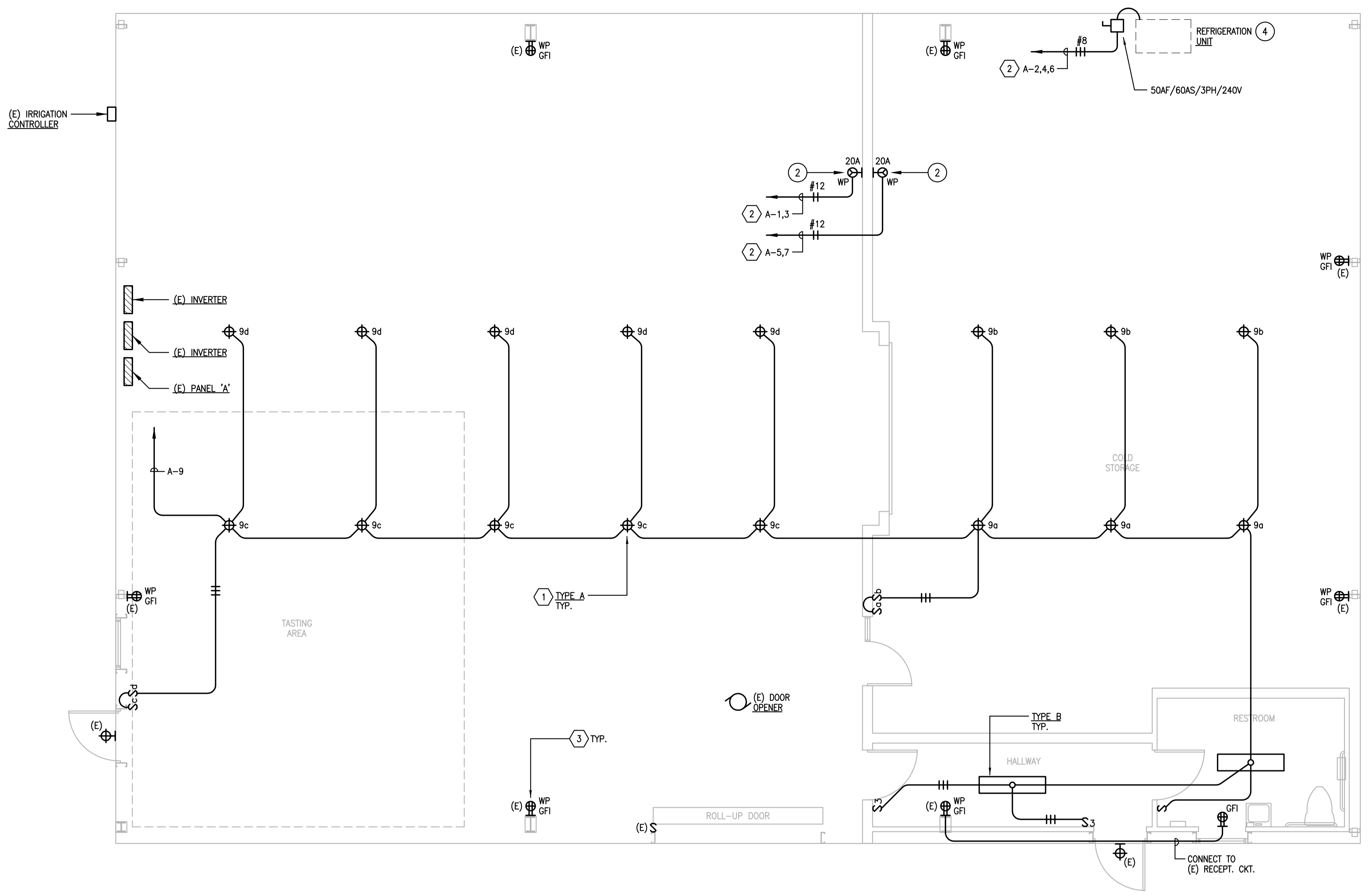


Revisions		
No.	Description	Date
1	ISSUED FOR PERMIT	03.25.09

Revisions		
No.	Description	Date
1	ISSUED FOR PERMIT	03.25.09

Revisions		
No.	Description	Date
1	ISSUED FOR PERMIT	03.25.09

Winery
 3807 East Woodbridge Road (APN 013-210-29)
 Acampo, California



General Notes

- ALL CONDUCTORS TO BE COPPER UNLESS OTHERWISE NOTED.
- NOTIFY THE DESIGNER & OWNER IMMEDIATELY UPON THE DISCOVERY OF ANY ITEM OR CONDITION THAT REQUIRES MODIFICATION TO THE LAYOUT OR CONNECTIONS OF DEVICES OR EQUIPMENT INDICATED ON THESE PLANS, PRIOR TO THEIR INSTALLATION.
- ALL ELECTRICAL EQUIPMENT OR DEVICES MOUNTED ON THE ROOF OR EXTERIOR TO THE BUILDING, SHALL BE SUITABLE FOR EXTERIOR USE IN DAMP OR WET LOCATIONS & LABELLED ACCORDINGLY.
- FIRE ALARM SYSTEM SHALL BE DESIGNED, PROVIDED & INSTALLED BY OTHERS.
- SEAL ALL ROOF PENETRATIONS WITH APPROVED MATERIALS.
- COORDINATE EXACT LOCATIONS OF ALL MECHANICAL EQUIPMENT WITH MECHANICAL DRAWINGS.
- ALL CIRCUITS SHOWN CONNECTED TO BRANCH PANELS MUST ALSO CONTAIN A CODE REQUIRED GROUNDING CONDUCTOR.
- ALL ELECTRICAL CONNECTIONS SHALL BE MADE IN ACCORDANCE WITH THE FOLLOWING CODES:
 - 2007 CALIFORNIA BUILDING CODE
 - 2007 CALIFORNIA MECHANICAL CODE
 - 2007 CALIFORNIA ENERGY CODE
 - 2008 NATIONAL ELECTRICAL CODE
 - 2006 INTERNATIONAL BUILDING CODE
 - 2007 CALIFORNIA ELECTRICAL CODE
 - ADA SECTION III (TITLE 24)
 - CITY OF ACAMPO CODES & ORDINANCES
- COORDINATE EXACT NEMA RECEPTACLE AND / OR PLUG REQUIREMENTS WITH INDIVIDUAL EQUIPMENT SUPPLIER / VENDOR, PRIOR TO INSTALLATION.
- ALL GENERAL USE RECEPTACLES NOT SPECIFICALLY DEDICATED FOR USE BY DESIGNATED EQUIPMENT, SHALL BE INSTALLED AT A MINIMUM HEIGHT OF 15 INCHES ABOVE FINISHED FLOOR TO CENTER OF DEVICE.
- ALL WIRING SHALL BE INSTALLED IN APPROVED RACEWAYS.
- ALL NON-PORABLE EQUIPMENT SHALL BE HARD WIRED.
- THE APPROVAL OF ALL ELECTRICAL WORK IS SUBJECT TO FIELD INSPECTIONS.
- ALTHOUGH NOT SHOWN FOR CLARITY, ALL RACEWAYS & HOMERUNS CONTAIN 2#12 AWG, UNLESS OTHERWISE NOTED ON PLANS.

Symbols Legend

- PENDANT MOUNTED FIXTURE
 - WALL MOUNTED FIXTURE
 - SURFACE MOUNTED FLUORESCENT FIXTURE
 - EMERGENCY WALL PACK
 - LED EXIT SIGN; WITH EMERGENCY HEADS WHERE SHOWN
 - OCCUPANCY SENSOR; WALL OR CEILING MOUNTED
 - SINGLE POLE TOGGLE SWITCH; SUBSCRIPT DENOTES FIXTURE OR LAMPS CONTROLLED
 - THREE-WAY TOGGLE SWITCH. SUBSCRIPT DENOTES FIXTURE OR LAMPS CONTROLLED
 - MOTOR RATED SWITCH WITH THERMAL OVERLOAD PROTECTION
 - TIMER SWITCH
 - JUNCTION BOX; ABOVE CEILING OR SURFACE ON FLOOR
 - JUNCTION BOX; WALL MOUNTED
 - DUPLEX RECEPTACLE; WALL MOUNTED
 - DOUBLE DUPLEX RECEPTACLE; WALL MOUNTED
 - DUPLEX RECEPTACLE, MOUNTED AT HEIGHT AS INDICATED
 - DOUBLE DUPLEX RECEPTACLE, MOUNTED AT HEIGHT AS INDICATED
 - SPECIAL RECEPTACLE, COORDINATE EXACT NEMA PATTERN WITH EQUIPMENT
 - POWER BOX; FLUSH MOUNTED IN FLOOR
 - POWER/TELE/DATA BOX; FLUSH MOUNTED IN FLOOR
 - TELEPHONE/DATA OUTLET
 - MOTOR
 - PANEL OR EQUIPMENT CABINET
 - CABLE TV OUTLET
 - FUSED DISCONNECT OR SWITCH
 - DISCONNECT SWITCH TAG:
 - VOLTAGE
 - PHASE
 - SWITCH SIZE IN AMPS
 - FUSE SIZE IN AMPS
 - HOMERUN TO PANEL
 - CONDUIT RACEWAY
 - PHASE CONDUCTOR
 - NEUTRAL CONDUCTOR
 - CONDUIT UP OR DOWN
 - FLEXIBLE CONDUIT
 - NUMBERED NOTE TAG
 - FEEDER TAG
 - FIXTURE TYPE DESIGNATION
 - MECHANICAL EQUIPMENT DESIGNATION
 - PANEL & CIRCUIT DESIGNATION
 - AMPS
 - AIR CONDITIONER
 - ABOVE FINISHED FLOOR
 - AFCI
 - AL
 - C
 - CATV
 - CB
 - COM.
 - DISP.
 - (E)
 - F
 - FAU
 - GFI
 - ELEC.
 - GRD.
 - MCB
 - M.L.O.
 - (N)
 - P
 - PH
 - PNL.
 - PVC
 - REF.
 - RES.
 - SWBD.
 - TYP.
 - U.O.N.
 - V
 - W
 - WH
 - WP
- NOTE: SOME SYMBOLS IN THIS LIST MAY NOT HAVE BEEN USED IN THIS PROJECT.

Fixture Schedule

- TYPE A**
- DESCRIPTION: PENDANT MOUNTED FLUORESCENT FIXTURE WITH NON-METALLIC VAPORPROOF HOUSING, SEALED GLASS GLOBE & POLYCARBONATE HOOD REFLECTOR; 120V.
- MANUFACTURER: CANLET #8FFFP26N1D-GS
- LAMPS: (1) 28W QUAD
- INPUT WATTS: 31
- TYPE B**
- DESCRIPTION: SURFACE MOUNTED FLUORESCENT FIXTURE WITH (2) LAMPS; WHITE HOUSING; HIGH IMPACT DIFFUSER; 120V.
- MANUFACTURER: LITHONIA #AW232 AIR MOLT GEB 10RS
- LAMPS: (2) F37R
- INPUT WATTS: 66

Sheet Notes

- MOUNT FIXTURES FROM RAFTERS USING SWIVEL HANGER AS SHOWN IN DETAIL 2 THIS SHEET.
- ROUTE HOMERUN TO (E) PANEL A; UTILIZE (E) SPARE BREAKERS OR INSTALL NEW AS SHOWN ON PANEL SCHEDULE.
- REPLACE (E) DUPLEX RECEPTACLES WITH GFI PROTECTED DEVICES, INCLUDING GROUNDING AS REQUIRED.

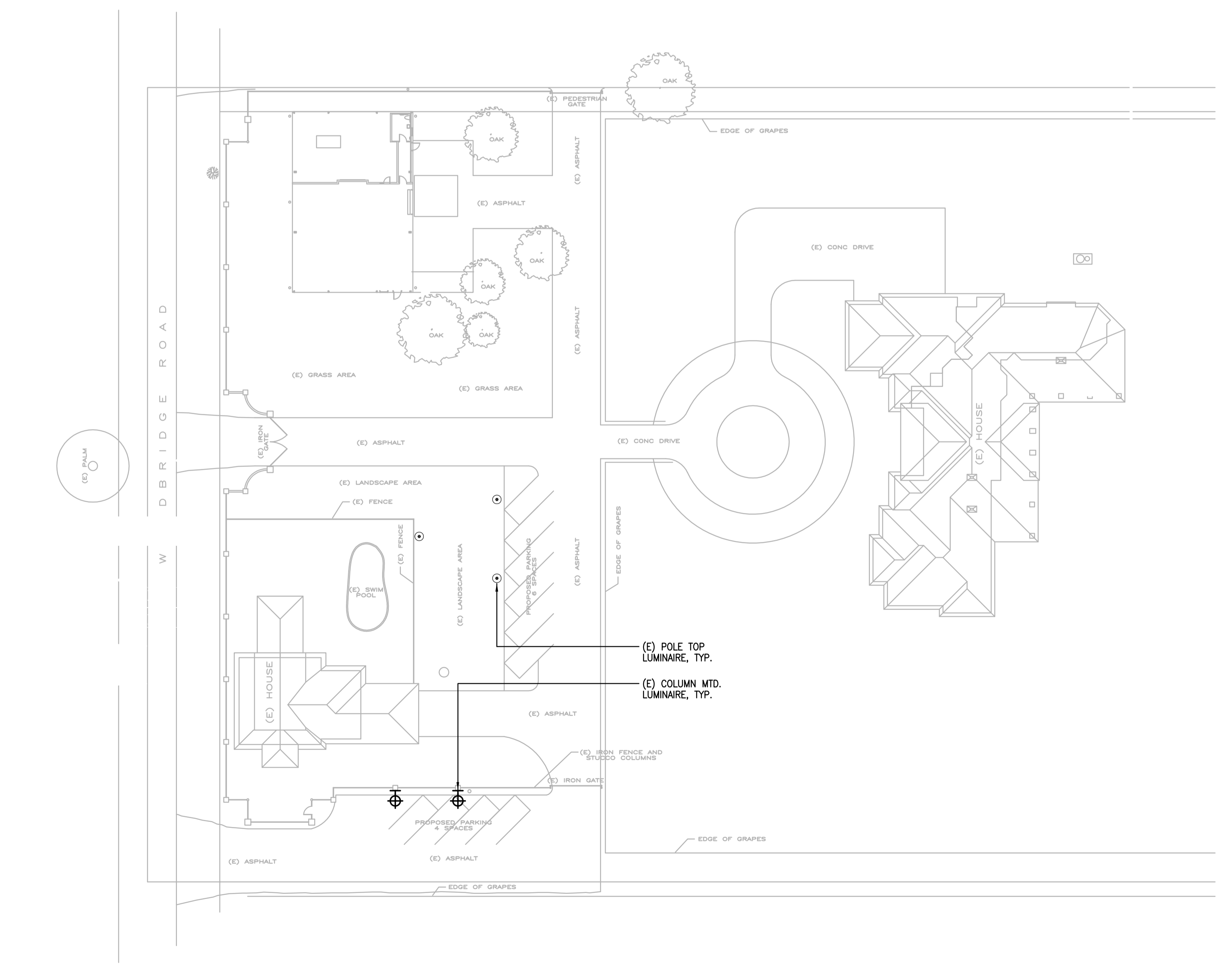
Equipment Schedule

- REFRIGERATION UNIT: 240V, 3Ø, 37.9MCA
- MUST PUMP: 240V, 1, 6.5FLA

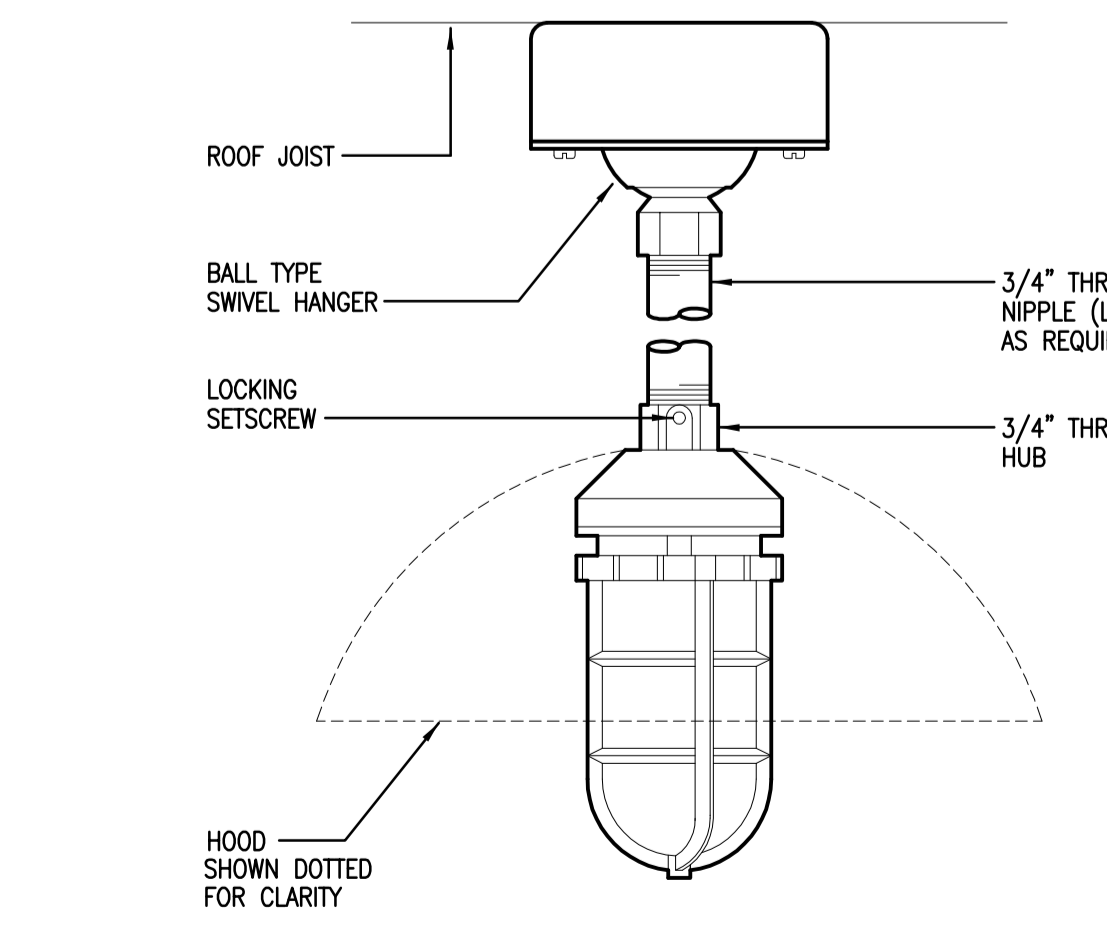
Drawing Index

- E1.0 ELECTRICAL PLAN & NOTES
- E2.0 TITLE 24 FORMS

2 Electrical Plan
SCALE: 1/4" = 1'-0"



1 Partial Site Plan
SCALE: 1" = 30'-0"



3 Fixture Detail
SCALE: NTS

PROJECT: WINE STORAGE BUILDING													
PANEL A													
SERVICE	LOAD				CB	A	B	CB	LOAD				SERVICE
	LTG	G.P.	DED	MOT					LTG	G.P.	DED	MOT	
(N) MUST PUMP				.78	15	1	2					5.25	(N) REFRIGERATION UNIT
(N) MUST PUMP				.78	15	3	4					5.25	
(E) LIGHTING	.18			.78	2	7	8			.72			(E) RECEPTACLES
(N) LIGHTING	.63				20	9	10			.72			(E) IRRIG. CONTROLLER
SPACE					13	11	12			.25			
SPACE					15	13	14						
SPACE					17	15	16						
SPACE					19	17	18						
SPACE					21	19	20						
SPACE					23	21	22						
SPACE					25	23	24						
SPACE					27	25	26						
SPACE					29	27	28						
SPACE					29	29	30						
TOTALS		.81		3.12						1.44	.25	15.75	TOTALS
VOLTS: 120/240V, 1PH, 3W				MTG: SURFACE				LIGHTING: 1.01 (125%)					
SCA:								RECEPTS: 1.44					
MAINS: 200A, MCB								DEDICATED: .25					
(21.57KVA = 51.95A)								MOTORS: 18.87					
								TOTAL: 21.57 KVA					

Sheet Title:
Electrical Plan & Notes

Date: 01.28.09

Scale: AS NOTED

Project No.: 0901.15

Sheet No.:
E1.0