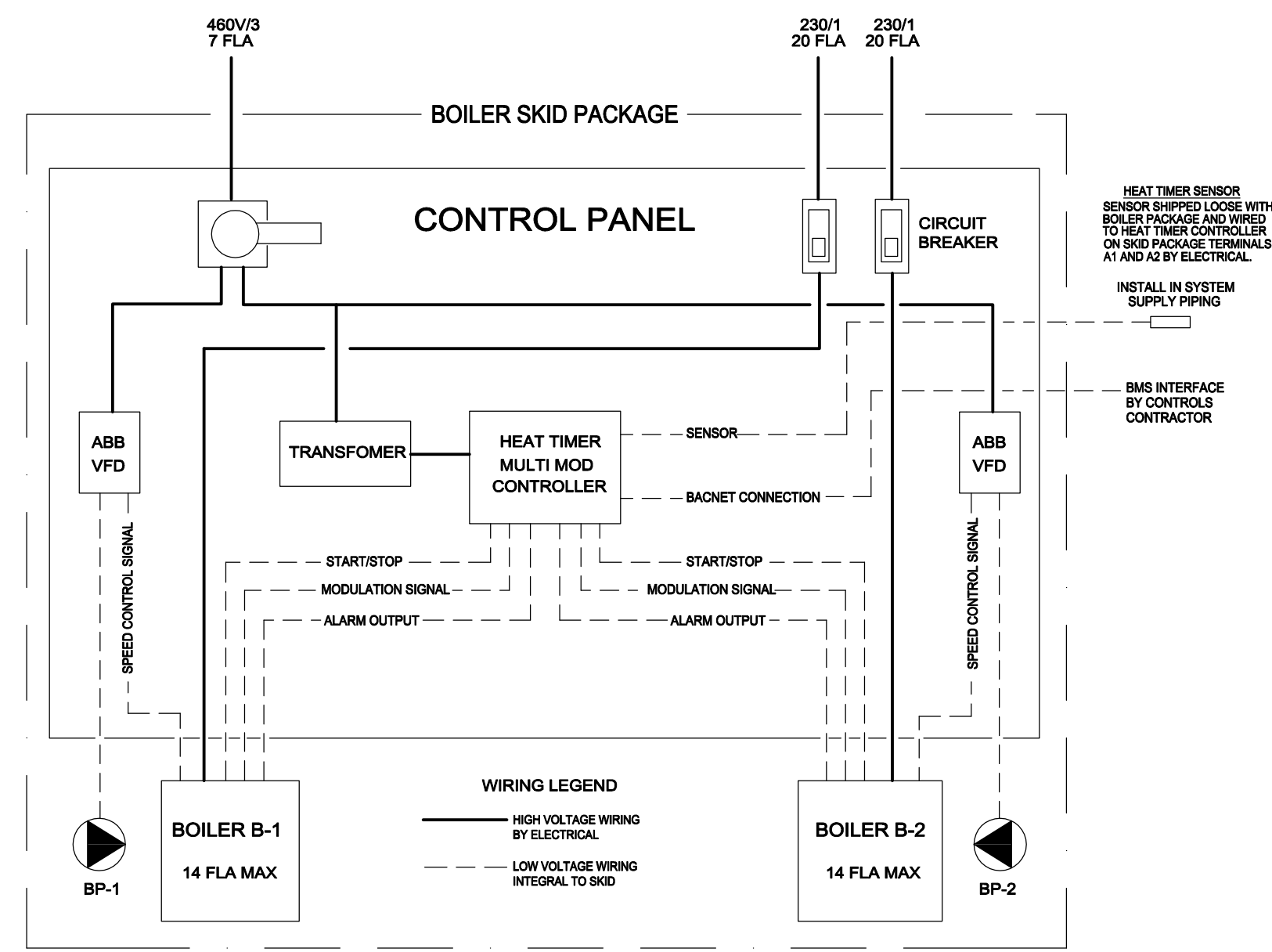


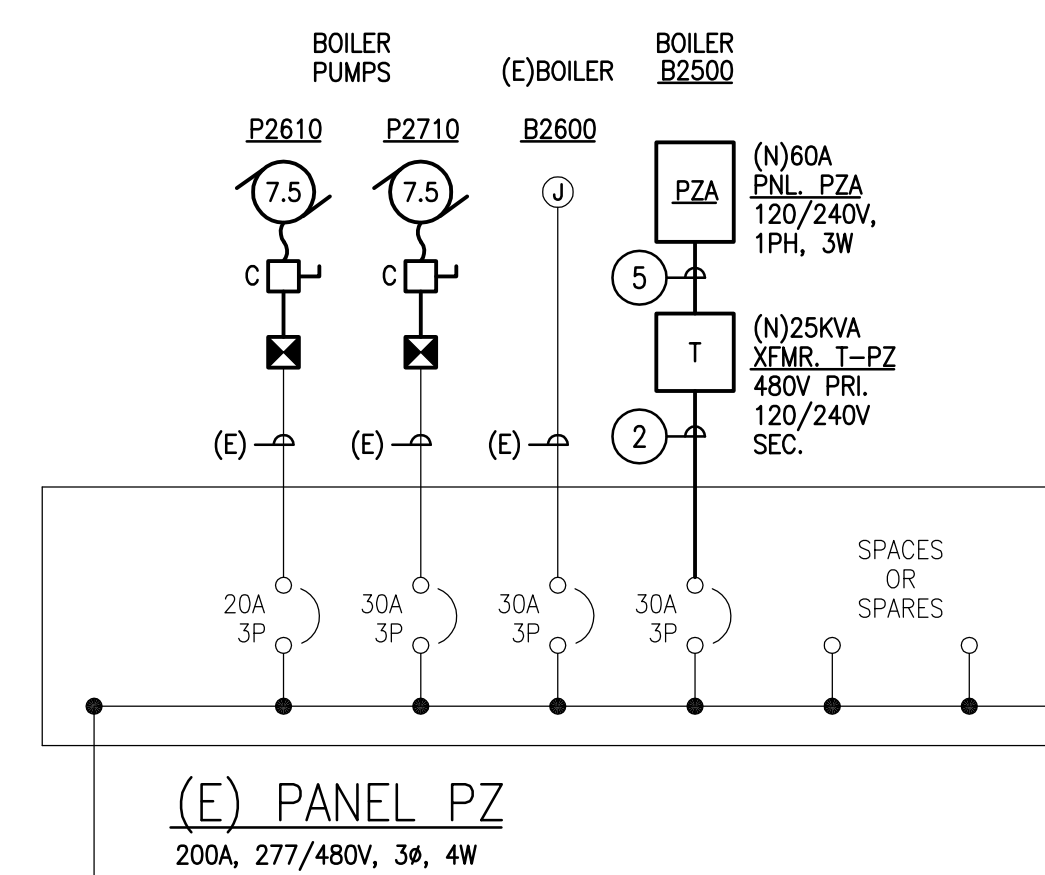
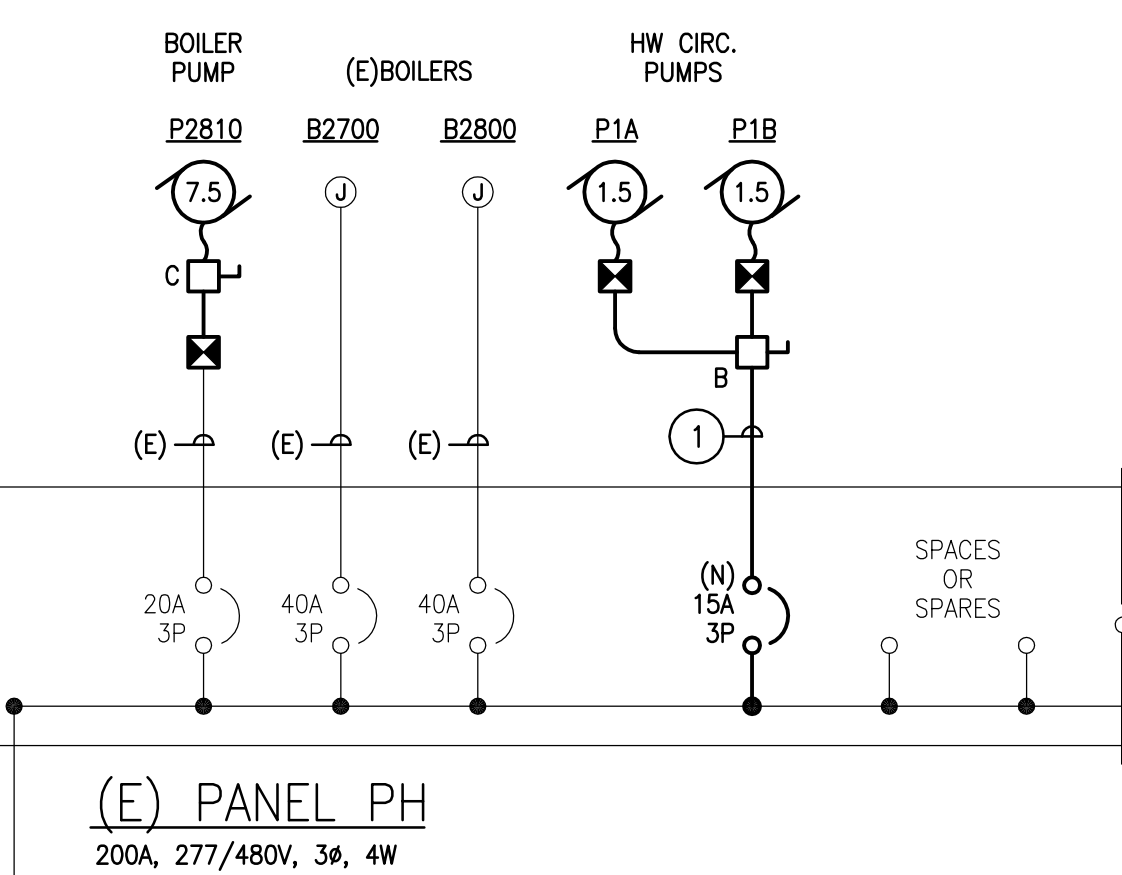
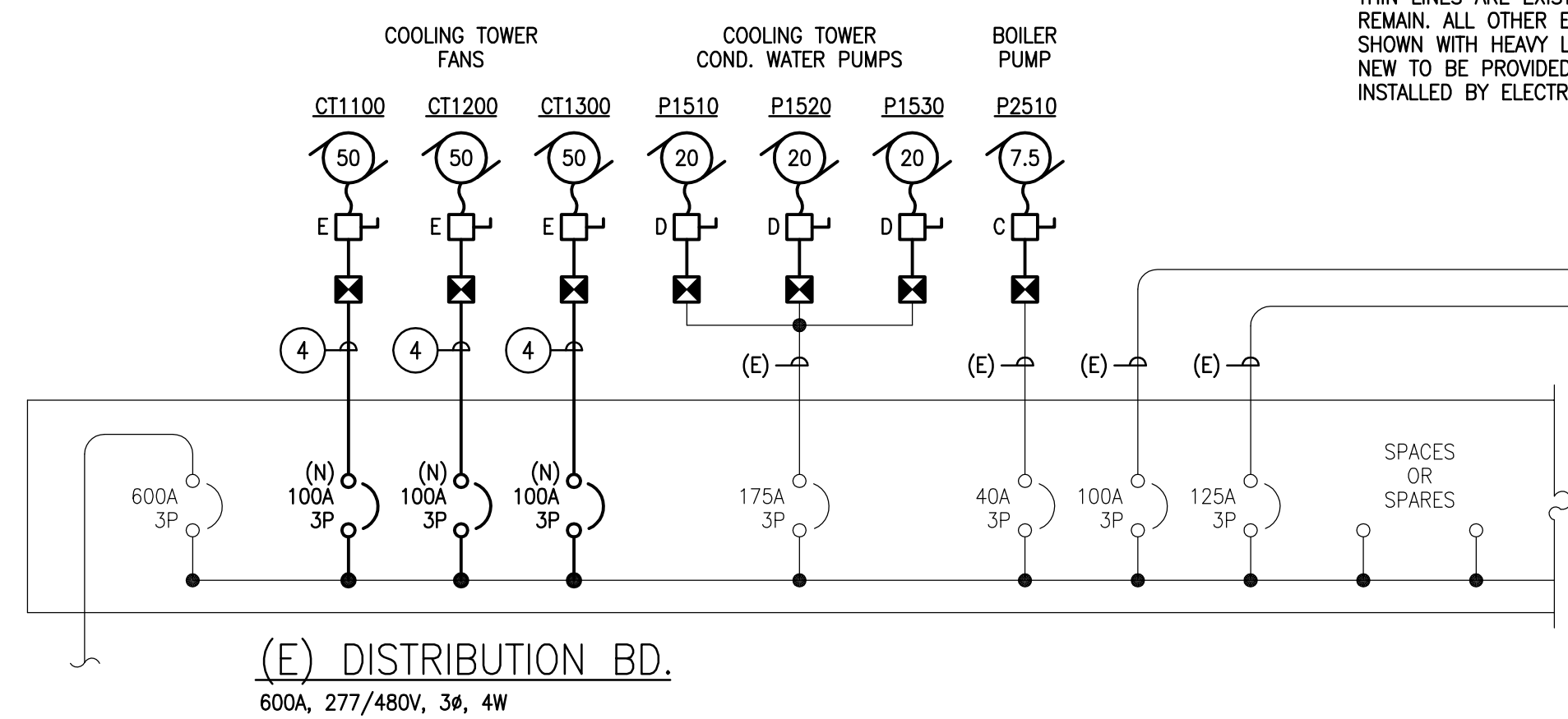
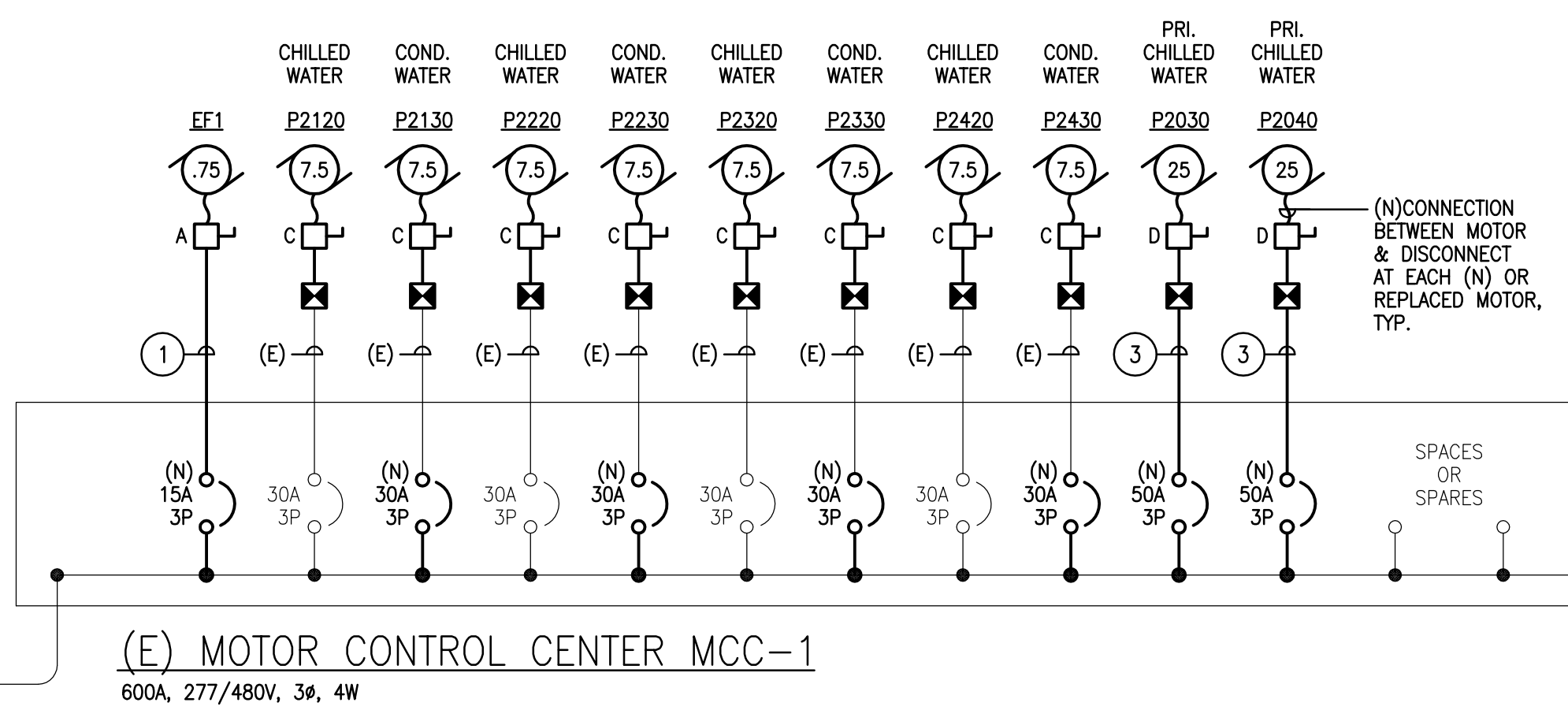
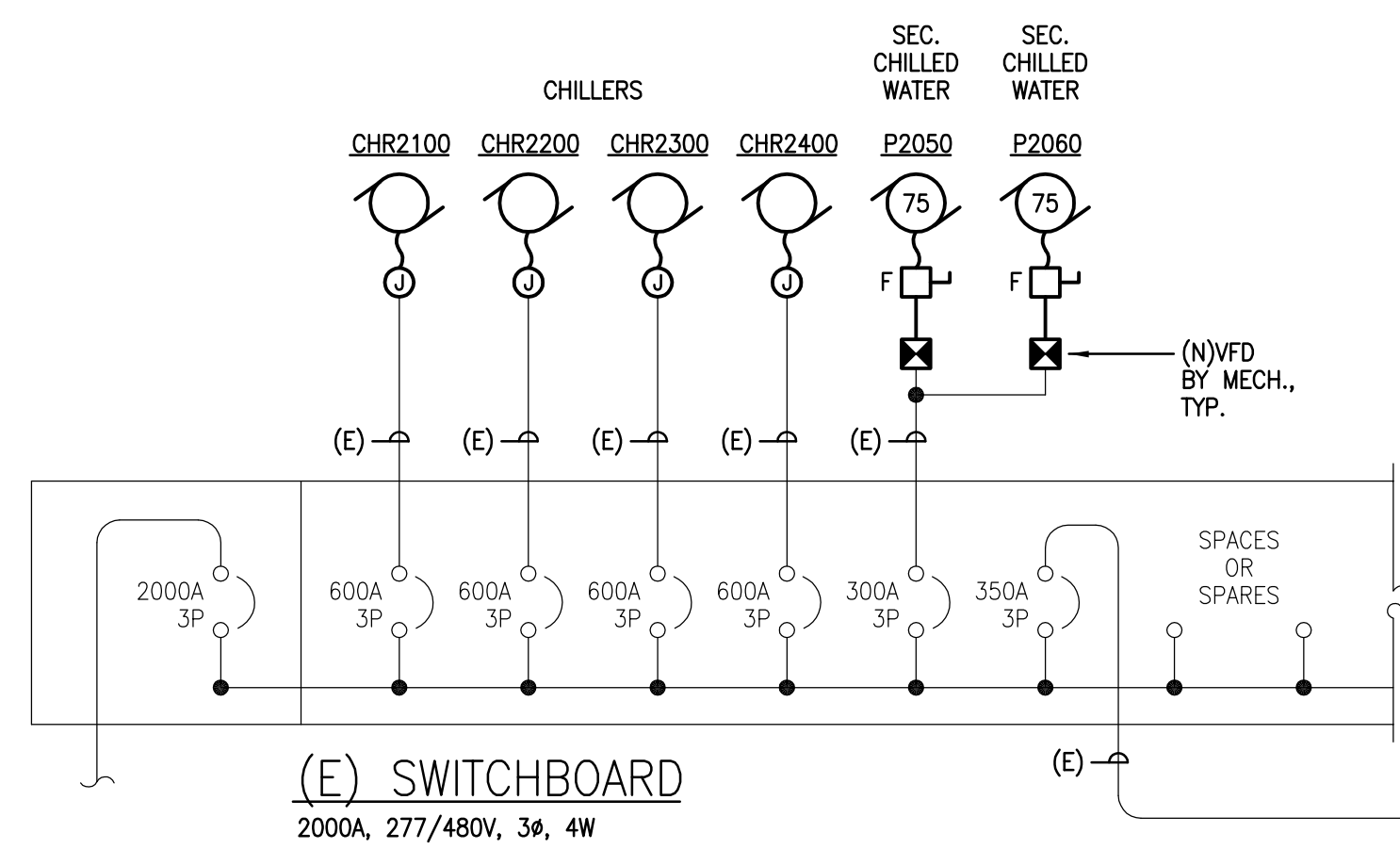
2 TYPICAL CONDUIT CONNECTION TO CHILLER
SCALE: 1/4" = 1'-0"



3 BOILER B2500 WIRING DIAGRAM
SCALE: SCHEMATIC

FEEDER SCHEDULE						
TAG	VOLTAGE	PHASE	AMPERAGE	WIRES	GROUND	CONDUIT
1	480	3	3	3#12	1#12	1/2"
2	480	3	30	3#10	1#12	3/4"
3	480	3	34	3#8	1#10	3/4"
4	480	3	65	3#6	1#8	1"
5	120/240	1	60	3#6	1#8	1"

DISCONNECT SCHEDULE				
TAG	VOLTAGE	PHASE	SWITCH AMPS	FUSE AMPS
A	480	3	30	2
B	480	3	30	4
C	480	3	30	NF
D	480	3	60	NF
E	480	3	100	NF
F	480	3	200	NF



1 RISER DIAGRAM
SCALE: SCHEMATIC

AIRCON ENERGY
Results You Can Count On
830 Stadium Way
Sacramento, California 95834
Phone (916) 922-2004 Site (707)
Fax (916) 922-6481 Site (707)
CCL #837784; B, C04, C10, C20, C36, & C38

PROJECT NAME:
**Sonoma County
Comprehensive
Energy Project**

ENGINEER:
TPWCO
ELECTRICAL & LIGHTING SYSTEMS DESIGN
3346 Barmouth Drive - Antioch, CA 94509
Tel: (925) 754-9027 Fax: (925) 754-9375
Email: design@tpwco.com

STAMP:

CONTRACTOR:
ECO
ELECTRIC COMPANY
ELECTRICAL CONTRACTORS
State License #C-10 581519
4507 HESS DRIVE - AMERICAN CANYON, CA 94503 - (707) 644-8665
P.O. BOX 4110 - NAPA, CA 94558 - FAX (707) 644-1804

Revision Desc.	No.	Date

SHEET TITLE:
**Diagrams &
Details**

SCALE: As Noted
JOB # -
DATE: 08.12.09
DRAWN BY: RB
REVIEWED BY: TW
SHEET #:

E4.1